



**CONTROL COMMAND  
PROTOCOL  
FOR  
VK-S234 SERIES**

# CONTENTS

## EXTERNAL CONTROL

<b>1) Communication Protocol .....</b>	<b>3</b>
<b>2) Data Connection .....</b>	<b>3</b>
<b>3) Communication Data Format .....</b>	<b>3</b>
<b>4) Control Commands .....</b>	<b>4</b>
a) Switch the auto focus / manual focus .....	4
b) Move focus to FAR IN MANUAL FOCUS MODE.....	4
c) Move focus to NEAR in manual focus mode.....	4
d) Move zoom to TELE .....	4
e) Move zoom to WIDE.....	4
f) Select the zoom speed of optical zoom .....	4
g) To get the status of zoom position.....	5
h) Switch the continuous digital zoom ON/OFF .....	5
i) Set the maximum mag. tuning value in continuous digital zoom ON mode.....	5
j) Switch the instant digital zoom ON/OFF .....	5
k) Set the instant mag. tuning value in instant digital zoom ON mode .....	5
l) Switch the auto / manual shutter speed (AE Commands) .....	6
m) Set the shutter speed tuning value in manual shutter mode (AE Commands) .....	6
n) Switch the auto/manual exposure (AE Commands).....	7
o) Switch the auto gain control (AGC) ON/OFF .....	8
p) Set the fixed AGC level tuning value in AGC OFF mode .....	8
q) Switch the auto / manual white balance .....	8
r) Set the white balance (R gain) tuning value in manual white balance mode.....	8
s) Set the white balance (B gain) tuning value in manual white balance mode.....	8
<b>5) Other Commands.....</b>	<b>9</b>
a) Get the camera type .....	9
b) Set the auto iris control level tuning value in auto exposure mode .....	9
c) Switch the back light compensation (BLC) ON/OFF .....	9
d) Set the BLC level tuning value in BLC ON mode .....	9
e) Set the chroma suppression level tuning value in AGC range.....	10
f) Select the manual aperture mode .....	10
g) Set the horizontal aperture level tuning value .....	11
h) Set the vertical aperture level tuning value .....	11
i) Set the maximum AGC gain tuning value in AGC ON mode .....	12
j) Change communication Baudrate .....	12
k) Set RAM initialise.....	12

## EXTERNAL CONTROL

### 1) Communication Protocol

Communication between the camera and the PC is available by using RS-232C protocol. The camera processor receives each control command given by the PC and echoes it back to the PC.

### 2) Data Connection

Baudrate:- 4800 Bps  
Data Length:- 8 Bit  
Stop Bit:- 1 Bit  
Parity:- Even

### 3) Communication Data Format

All communication data consists of eight or ten ASCII characters ( 8 bytes or 10 bytes).  
Communication data starts with the character “ : ” (colon). The format of the communication data is shown in Fig. 1.

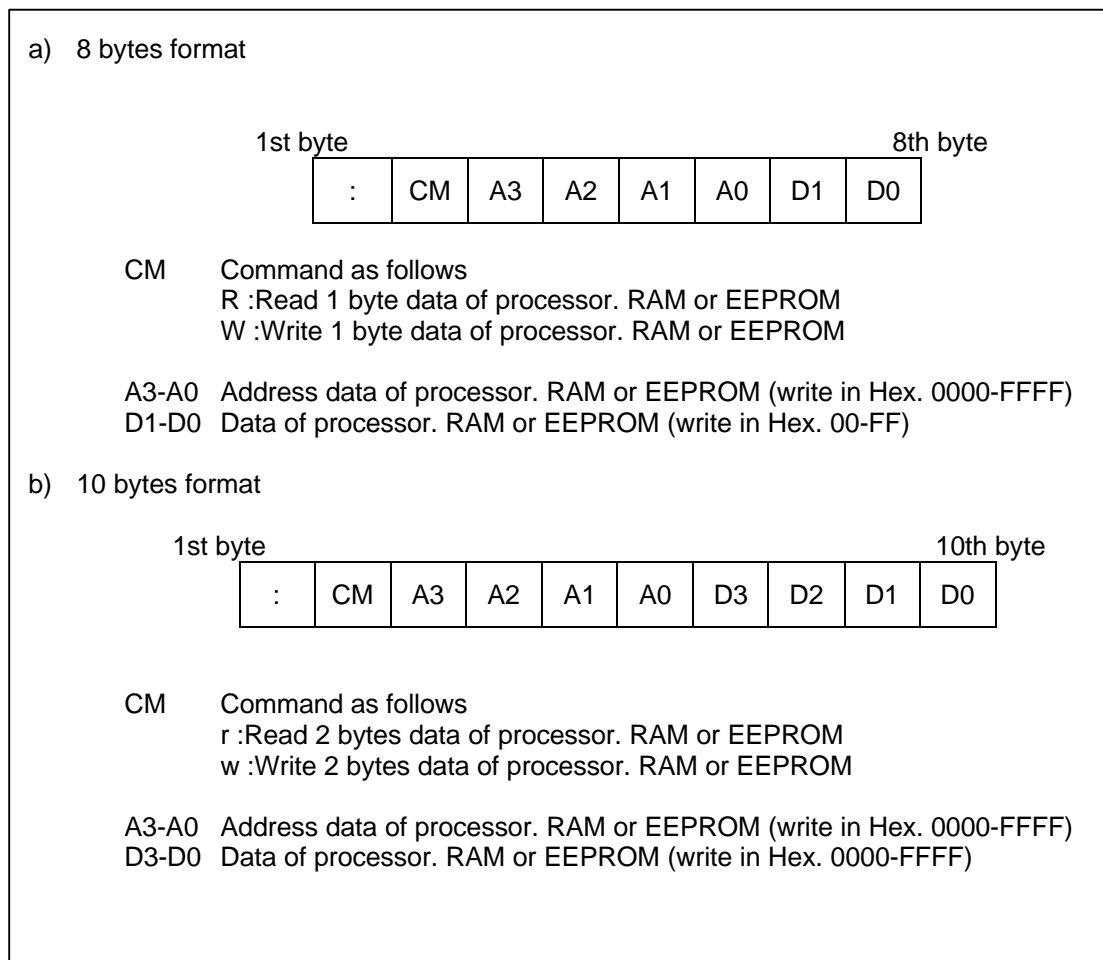


Fig. 1 Communication data format

#### 4) Control Commands

- a) Switch the auto focus / manual focus.

:RFF0E00  
:WFF0EX<sub>1</sub>X<sub>0</sub>

bit 3 of X<sub>1</sub>X<sub>0</sub> : 0-Auto 1-Manual

or

:WFCBBA8 ;Change  
:WFCBBFE ;Neutral

- b) Move focus to FAR in manual focus mode.

:WFCBBA9 ;Start  
:WFCBBFE ;Stop

- c) Move focus to NEAR in manual focus mode.

:WFCBBAA ;Start  
:WFCBBFE ;Stop

- d) Move zoom to TELE.

:WFCBB99 ;Start  
:WFCBBFE ;Stop

- e) Move zoom to WIDE.

:WFCBB9B ;Start  
:WFCBBFE ;Stop

- f) Select the zoom speed of optical zoom.

:RFDFC00  
:WFDFCX<sub>1</sub>X<sub>0</sub>

#### Super HIGH SPEED (2.4sec) \* ;

X<sub>1</sub>X<sub>0</sub> : Set bit 3 of echo back data to "0".  
Set bit 2 of echo back data to "1".

#### HIGH SPEED (3.9sec);

X<sub>1</sub>X<sub>0</sub> : Set bit 3 of echo back data to "0".  
Set bit 2 of echo back data to "0".

#### NORMAL SPEED (6.3sec);

X<sub>1</sub>X<sub>0</sub> : Set bit 3 of echo back data to "1".  
Set bit 2 of echo back data to "0".

[Note] \*mark : for Zoom Trace Pre-set Mode only

g) To get the status of zoom position

:RFC9100

If echo back data is "FF", zoom position is calculated by using the following equation.

zoom position =  $22 \times 256 \div (XX + 1)$   
 XX; echo back data

If echo back data is "FF", then following commands should be sent.

:rF7200000

Echo back data shows zoom position.[Please refer to the attached Table.1.]

[Table .1] Zoom position data table (Reference value)

Zoom Position	X 1	X2	X3	X4	X5	X6	X7	X8	X9	X10	X11
Echoback Data	14BA less ↓	2DDD less ↓	3A56 less ↓	422D less ↓	47C7 less ↓	4C15 less ↓	4F96 less ↓	528E less ↓	5517 less ↓	575B less ↓	5953 less ↓
Zoom Position	X12	X13	X14	X15	X16	X17	X18	X19	X20	X21	X22
Echoback Data	5B20 less ↓	5CB1 less ↓	5E18 less ↓	5F4B less ↓	605D less ↓	6143 less ↓	6208 less ↓	62AA less ↓	6333 less ↓	63A2 less ↓	63A2 more ↑

h) Switch the continuous digital zoom ON/OFF

:RFCCB00

:WFCCBX<sub>1</sub>X<sub>0</sub>

X<sub>1</sub>X<sub>0</sub>=00 ; OFF X<sub>1</sub>X<sub>0</sub>=01 ; ON

i) Set the maximum mag. tuning value in continuous digital zoom ON mode

:WFDF0X<sub>1</sub>X<sub>0</sub>

X<sub>1</sub>X<sub>0</sub> (hex) = {256-(256÷MM)} (dec)  
 MM; maximum mag.

[Example:mag.1; MM=1→ X<sub>1</sub>X<sub>0</sub>=00  
 mag.2; MM=2→ X<sub>1</sub>X<sub>0</sub>=80 ;max]

j) Switch the instant digital zoom ON/OFF

:RFF0F00

:WFF0FX<sub>1</sub>X<sub>0</sub>

bit 7 of X<sub>1</sub>X<sub>0</sub> : 0-OFF 1-ON

k) Set the instant mag. tuning value in instant digital zoom ON mode

:WFDE6X<sub>1</sub>X<sub>0</sub>

X<sub>1</sub>X<sub>0</sub> (hex) = IM x 10(dec)  
 IM; instant mag.  
 (more than 1.0 and 0.1 step)

[Example: mag.1; IM=1.0→ X<sub>1</sub>X<sub>0</sub>=0A  
 mag.2; IM=2.0 X<sub>1</sub>X<sub>0</sub>=14 ;max]

l) Switch the auto / manual shutter speed (AE Commands)

i.) Program AE mode switch (Without DSS)

:RFCC800  
:WFCC8X<sub>1</sub>X<sub>0</sub> (X<sub>1</sub>X<sub>0</sub> = 00)

ii.) Program AE + (Auto digital slow shutter, with DSS)

:RFCC800  
:WFCC8X<sub>1</sub>X<sub>0</sub> (X<sub>1</sub>X<sub>0</sub> = 01) Default

iii.) Digital slow shutter status

:RFCC700  
Echo back data is digital slow shutter status.

X <sub>1</sub> X <sub>0</sub> (echo back data)	Shutter Speed (s)	
	NTSC / EIA	PAL / CCIR
01	- 1/60	- 1/50
02	1/60 – 1/30	1/50 – 1/25
04	1/30 – 1/15	1/25 – 1/13
08	1/15 – 1/8	1/13 – 1/6
10	1/8 – 1/4	1/6 – 1/3
20	1/4 -1/2	1/3 – 1/1.5

iv.) auto digital slow shutter limit

:R11E500  
:W11E5X<sub>1</sub>X<sub>0</sub>

X <sub>1</sub> X <sub>0</sub> (echo back data)	Shutter Speed (s)	
	NTSC / EIA	PAL / CCIR
01	1/60	1/50
02	1/30	1/25
04	1/15	1/13
08	1/8	1/6
10	1/4	1/3
20	1/2	1/1.5

m) Set the shutter speed tuning value in manual shutter mode (AE Commands)

i.) Shutter priority mode switch (Fixed Shutter)

:RFCC800  
:WFCC8X<sub>1</sub>X<sub>0</sub>

[Note]: This command needs to be sent before the Fixed shutter can be set.

ii.) Set the shutter speed tuning value

:RFCC900

:WFCC9X<sub>1</sub>X<sub>0</sub>

X<sub>1</sub>X<sub>0</sub> ; tuning value

X <sub>1</sub> X <sub>0</sub> (setting data)	Shutter Speed (s)	
	NTSC / EIA	PAL / CCIR
00	1/2	1/1.5
01	1/4	1/3
02	1/8	1/6
03	1/15	1/13
04	1/30	1/25
05	1/60	1/50
06	1/120	1/100
07	1/180	1/150
08	1/250	1/250
09	1/500	1/500
0A	1/1000	1/1000
0B	1/2000	1/2000
0C	1/4000	1/4000
0D	1/10000	1/10000
0E	1/30000	1/30000

n) Switch the auto/manual exposure (AE Commands)

i.) Exposure priority mode switch

:RFCC800

:WFCC8X<sub>1</sub>X<sub>0</sub> ( X<sub>1</sub>X<sub>0</sub> = 08)

[Note]: This command needs to be sent before the Fixed shutter can be set.

ii.) Set the brighter/darker exposure tuning value

:RFCC900

:WFCC9X<sub>1</sub>X<sub>0</sub> ( X<sub>1</sub>X<sub>0</sub> ; tuning value)

F-value	X <sub>1</sub> X <sub>0</sub> (setting value)
F1.6	00
F2.2	01
F3.2	02
F4.4	03
F6.4	04
F8.8	05
F12	06
F17	07
F24	08
F34	09

- o) Switch the auto gain control (AGC) ON/OFF :RFB7F00  
:WFB7FX<sub>1</sub>X<sub>0</sub>  
bit 7 of X<sub>1</sub>X<sub>0</sub> : 0-ON 1-OFF
- p) Set the fixed AGC level tuning value in AGC OFF mode  
:wFB38X<sub>3</sub>X<sub>2</sub>X<sub>1</sub>X<sub>0</sub>  
X<sub>3</sub>X<sub>2</sub>X<sub>1</sub>X<sub>0</sub> : tuning value  
( X<sub>3</sub>X<sub>2</sub>X<sub>1</sub>X<sub>0</sub>=000003C0 ; 0.03125dB/step)  
[ X<sub>3</sub>X<sub>2</sub>X<sub>1</sub>X<sub>0</sub>=0000 ; 0dB ,  
X<sub>3</sub>X<sub>2</sub>X<sub>1</sub>X<sub>0</sub>=03C0 ; 30dB ]
- q) Switch the auto / manual white balance :RFBFF00  
:WFBFFX<sub>1</sub>X<sub>0</sub>  
bit 3 of X<sub>1</sub>X<sub>0</sub> : 0-Auto 1-Manual
- r) Set the white balance (R gain) tuning value in manual white balance mode  
:wFBBCX<sub>3</sub>X<sub>2</sub>X<sub>1</sub>X<sub>0</sub>  
X<sub>3</sub>X<sub>2</sub>X<sub>1</sub>X<sub>0</sub> : tuning value  
( min. H' 0080, max. H' 03FF )
- s) Set the white balance (B gain) tuning value in manual white balance mode  
:wFBBEX<sub>3</sub>X<sub>2</sub>X<sub>1</sub>X<sub>0</sub>  
X<sub>3</sub>X<sub>2</sub>X<sub>1</sub>X<sub>0</sub> : tuning value  
( min. H' 0080, max. H' 03FF )



## 5) Other Commands

[Note] \* mark : Is available after power reset.

Default value in EEPROM area are subject to change without notice.

a) Get the camera type

[EEPROM area]

:RE1EDX<sub>1</sub>X<sub>0</sub>

:RE1EEX<sub>1</sub>X<sub>0</sub>

	Type data (X <sub>1</sub> X <sub>0</sub> =)			
MODEL	VK-S234	VK-S234E	VK-K234	VK-K234E
FORMAT	NTSC Hi-BAND	PAL Hi-BAND	EIA Hi-BAND	CCIR Hi-BAND
EEPROM area "E1ED"	38	38	38	38
EEPROM area "E1EE"	0X <sub>0</sub>	1X <sub>0</sub>	2X <sub>0</sub>	3X <sub>0</sub>

b) Set the auto iris control level tuning value in auto exposure mode

i.) Iris offset (average) level

[RAM area]

:WFD9EX<sub>1</sub>X<sub>0</sub> ( X<sub>1</sub>X<sub>0</sub>= 00~FF ; 256 step )

ii.) Iris offset (peak) level

[RAM area]

:WFD9FX<sub>1</sub>X<sub>0</sub> ( X<sub>1</sub>X<sub>0</sub>= 00~7F ; 128 step )

c) Switch the back light compensation (BLC) ON/OFF

[RAM area]

:RFECE0

:WFECEX<sub>1</sub>X<sub>0</sub>

X<sub>1</sub>X<sub>0</sub>=00 ; OFF X<sub>1</sub>X<sub>0</sub>=02 ; ON

d) Set the BLC level tuning value in BLC ON mode

[RAM area]

:WFD8EX<sub>1</sub>X<sub>0</sub> ( X<sub>1</sub>X<sub>0</sub>=00~FF ; 256 step )

e) Set the chroma suppression level tuning value in AGC range

[RAM area]

AGC gain		~	AGC ON	:WB790X <sub>4</sub> Y <sub>4</sub>
AGC gain	AGC ON	~	1/3 maximum AGC level	:WB791X <sub>3</sub> Y <sub>3</sub>
AGC gain	1/3 maximum AGC level	~	2/3 maximum AGC level	:WB792X <sub>2</sub> Y <sub>2</sub>
AGC gain	2/3 maximum AGC level	~	maximum AGC level	:WB793X <sub>1</sub> Y <sub>1</sub>
AGC gain	maximum AGC level	~		:WB794X <sub>0</sub> Y <sub>0</sub>
( X <sub>7</sub> X <sub>7</sub> = 00~FF ; 256 step )				
Darker (H' 00) < centre (H' 7F) < brighter (H' FF)				
[Note] maximum AGC level setting at page 12 – item i) chroma suppression level tuning values at Fig.1 (below)				

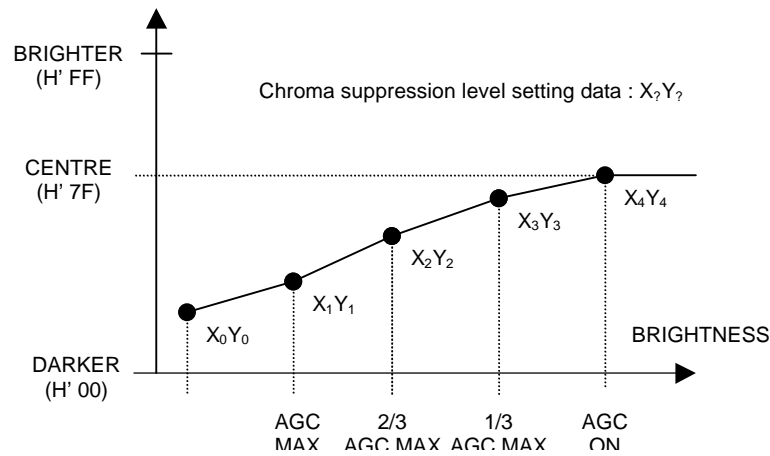


Fig. 1 Chroma suppression level

f) Select the manual aperture mode

[RAM area]

:RFBFF00  
:WFBFFX<sub>1</sub>X<sub>0</sub>

X<sub>1</sub>X<sub>0</sub> : Set bit 1 of echo back data to "1".  
[ bit 1 of X<sub>1</sub>X<sub>0</sub> : 0-Auto 1-Manual ]

g) Set the horizontal aperture level tuning value

:WFBF6X<sub>1</sub>X<sub>0</sub> ( X<sub>1</sub>X<sub>0</sub>=00~1F ; 32 step )

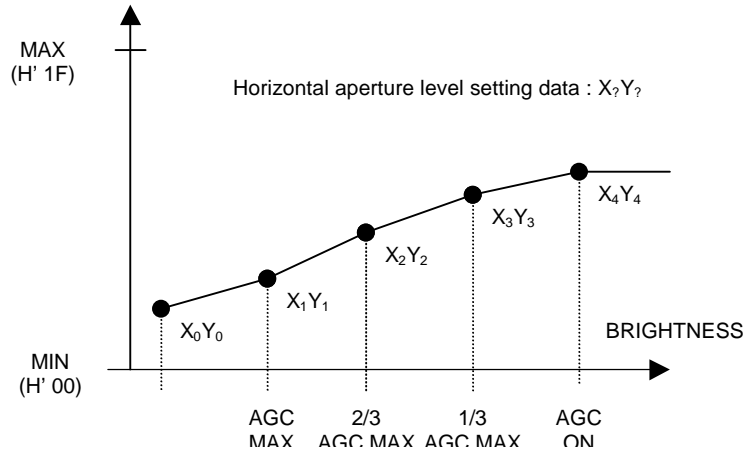


Fig. 2 Horizontal aperture level

h) Set the vertical aperture level tuning value

:WFBF9X<sub>1</sub>X<sub>0</sub> ( X<sub>1</sub>X<sub>0</sub>=00~1F ; 32 step )

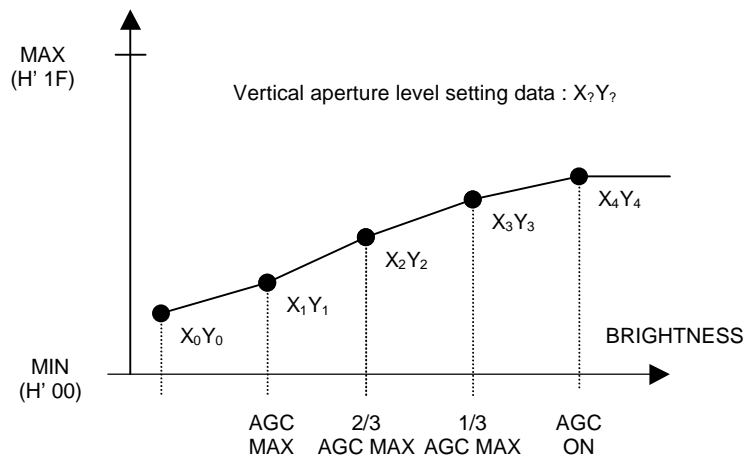


Fig. 3 Vertical aperture level

- i) Set the maximum AGC gain tuning value in AGC ON mode

[RAM area]

:wFD46X<sub>3</sub>X<sub>2</sub>X<sub>1</sub>X<sub>0</sub>

(X<sub>3</sub>X<sub>2</sub>X<sub>1</sub>X<sub>0</sub>=0000~0500 ; 0.03125dB/step)

[X<sub>3</sub>X<sub>2</sub>X<sub>1</sub>X<sub>0</sub>=0000 ; 0dB , MIN

X<sub>3</sub>X<sub>2</sub>X<sub>1</sub>X<sub>0</sub>=0500 ; 40dB] MAX

- j) Change communication Baudrate

[EEPROM area] \*

:WE05EX<sub>1</sub>X<sub>0</sub>

(X<sub>1</sub>X<sub>0</sub>=80 or 00;

4800 bps , even Parity ; default

X<sub>1</sub>X<sub>0</sub>=B0 ; 9600 bps , even Parity

X<sub>1</sub>X<sub>0</sub>=C0 ; 4800 bps , non Parity

X<sub>1</sub>X<sub>0</sub>=F0 ; 9600 bps , non Parity )

- k) Set RAM initialise

RAM area]

:WFF0A00

:WFCAC00